

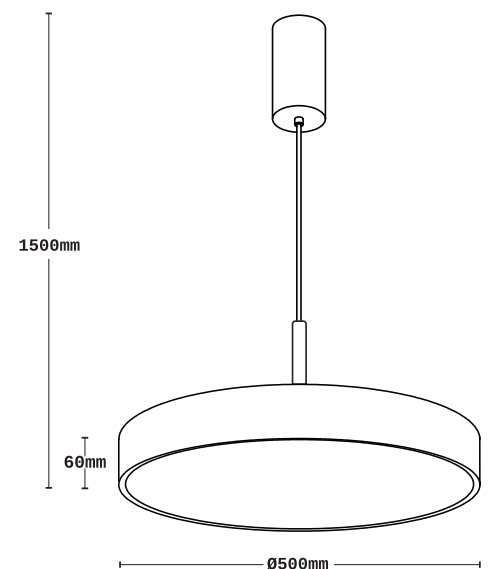
# PATI

PENDANT LIGHT

5361-840RPS-BK

## TECHNICAL FEATURES

Power (W):	40W
Luminous:	2720lm
Colour temperature:	3000K + 4000K <b>(2CCT Dip Switch)</b>
IP Rating:	IP20
Size:	Ø500 x 60 x 1500mm
Structure material:	Aluminium
Structure finish:	Sandy Black
Diffuser material:	Acrylic
Voltage / frequency:	220-240V/AC 50-60Hz
Energy efficiency:	G
Light source:	LED
Lens/Beam angle:	120°



\* 3000K + 4000K **(2CCT Dip Switch)**