

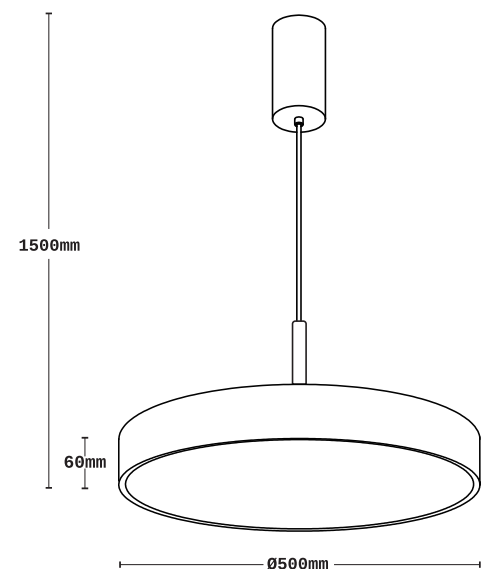
# PATI

PENDANT LIGHT

5361-840RPS-WH

## TECHNICAL FEATURES

|                      |  |
|----------------------|--|
| Power (W):           | 40W                                    |
| Luminous:            | 3000lm                                 |
| Colour temperature:  | 3000K + 4000K <b>(2CCT Dip Switch)</b> |
| IP Rating:           | IP20                                   |
| Size:                | Ø500 x 60 x 1500mm                     |
| Structure material:  | Aluminium                              |
| Structure finish:    | Sandy White                            |
| Diffuser material:   | Acrylic                                |
| Voltage / frequency: | 220-240V/AC 50-60Hz                    |
| Energy efficiency:   | G                                      |
| Light source:        | LED                                    |
| Lens/Beam angle:     | 120°                                   |



\* 3000K + 4000K **(2CCT Dip Switch)**